

Aug. 23, 1938.

L. S. BELLEM, JR

Des. 110,995

HAND CONTROL FOR RADIO AND LIKE APPARATUS

Filed June 19, 1937

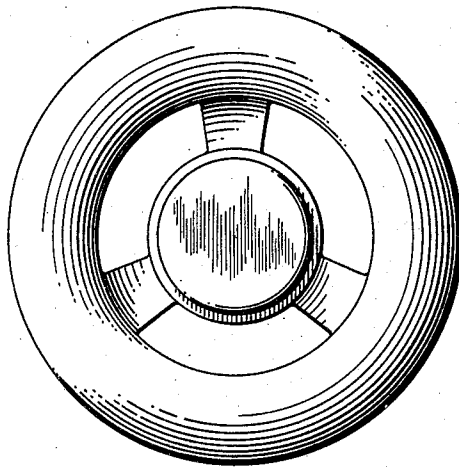


Fig. 1.

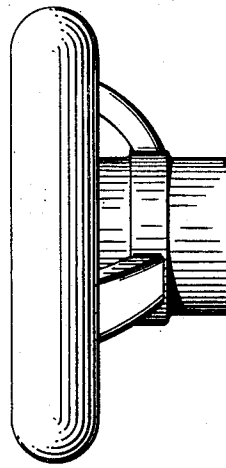


Fig. 2.

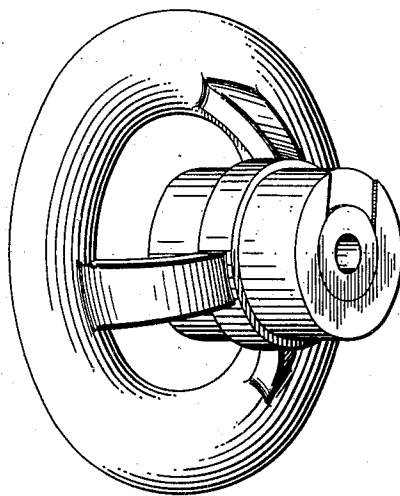
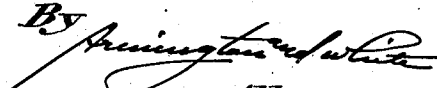


Fig. 3.

Inventor:
Lewis S. Bellem, Jr.

By  *Attorneys.*

UNITED STATES PATENT OFFICE

110,995

DESIGN FOR A HAND CONTROL FOR RADIO AND LIKE APPARATUS

Lewis S. Bellem, Jr., Providence, R. I., assignor
to Coto-Coil Co., Inc., Providence, R. I., a cor-
poration of Rhode Island

Application June 19, 1937, Serial No. 69,935

Term of patent 3½ years

To all whom it may concern:

Be it known that I, Lewis S. Bellem, Jr., a citizen of the United States, residing at 143 Eastwood Avenue, in the city of Providence, county of Providence, and State of Rhode Island, have invented a new, original, and ornamental Design for a Hand Control for Radio and Like Apparatus, of which the following is a specification, reference being had to the accompanying drawing, forming a part thereof, in which:

Fig. 1 is a front elevation of the hand control showing my new design;

Fig. 2 is a side elevation thereof; and

Fig. 3 is a rear perspective view of the same.

I claim:—

The ornamental design for a hand control for radio and like apparatus, substantially as shown.

LEWIS S. BELLEM, JR.